

## GHK-FH Zinc Alloy Hook

### Features

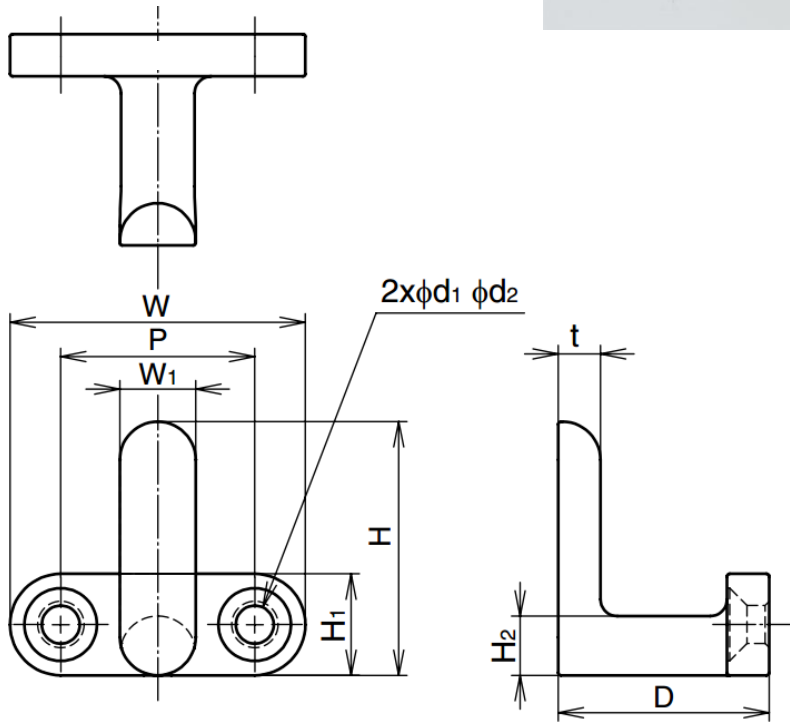
- Flat hook bottom
- Supplied screws are of the same finish as the body

### Material

- Zinc alloy - chrome, black, GB or brass finishes

### Parts Included

- **GHK-FH30:** Countersunk head tapping screw 4×20 (steel)
- **GHK-FH50:** Countersunk head tapping screw 5×30 (steel)



Part No.	Finish	D	$d_1$	$d_2$	H	$H_1$	$H_2$	P	t	W	$W_1$	Load Capacity
GHK-FH30-CR	Chrome	25	4.5	8.6	30	12	7	23	5	35	9	98 N 10 kg
GHK-FH30-BL	Black											
GHK-FH30-GB	GB											
GHK-FH30-PB	Brass											
GHK-FH50-CR	Chrome	39	5.3	10.6	45	16	9.5	34	7	50	13	147 N 15 kg
GHK-FH50-BL	Black											
GHK-FH50-GB	GB											
GHK-FH50-PB	Brass											